

MOE34CXI New product

Freestanding Combination Microwave Oven with
Inverter Technology, Finger Friendly Stainless Steel

EAN13: 8017709237424

- 10 functions
- 40 preset recipes
- 10 Automatic programmes
- Chrome handle

Inverter technology

- LED display
- Electronic timer
- Grill 1100W
- Tilting grill
- Microwave output power: 1100W
- Stainless Steel interior
- 1 x LED light
- Turntable
- Air cooling system
- Stop turntable option
- Child safety lock
- End of cooking acoustic alarm
- Net capacity: 34 litres
- Gross capacity: 35 litres
- Nominal power: 1.50 kW



Functions





Main oven



Circulaire:

The combination of the fan and circular element around it gives a hot air cooking method. This provides many benefits including no preheat if cook time is more than 20 minutes, no flavour transfer when cooking different foods at the same time, less energy, and shorter cook times. Good for all types of food.



Circulaire + grill:

Circulaire + grill



Fan with grill element:

The fan reduces the fierce heat from the grill, providing an excellent method of grilling various foods, chops, steaks, sausages etc. giving even browning and heat distribution, without drying out the food. The top two levels recommended for use, and the lower part of the oven can be used to keep items warm at the same time, an excellent facility when cooking a grilled breakfast. Half grill (centre portion only) is ideal for small quantities of food.



Grill element:

For rapid cooking and browning of foods. Best results can be obtained by using the top shelf for small items, the lower shelves for larger ones, such as chops or sausages. For half grill heat is generated only at the centre of the element, so is ideal for smaller quantities.



Pizza function:

This function allows pizza to be cooked quickly using microwave energy.



Defrost by weight:

The circulation of air enables quicker thawing of frozen food, without the use of any heat. The defrosting time will be calculated based on the food's type and weight and the microwaves power will be automatically varied to achieve the best thawing results.



Defrost by time:

The circulation of air enables quicker thawing of frozen food, without the use of any heat. The microwaves power will be automatically varied to achieve the best thawing results.



Microwave:

Penetrating straight into the food, microwaves cook very quickly and with considerable energy savings. Suitable for cooking without fat, they are also able to thaw and heat food without altering its original appearance and aroma. The microwave function can also be combined with conventional functions with all the resulting advantages. Ideal for all types of food.



Microwave + grill element:

To achieve a combined cooking with grill that cooks the outside whilst assuring an internal cooking thanks to the microwave function.



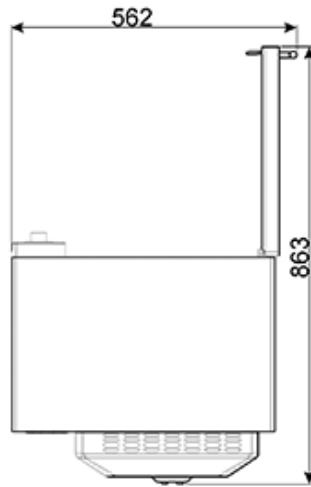
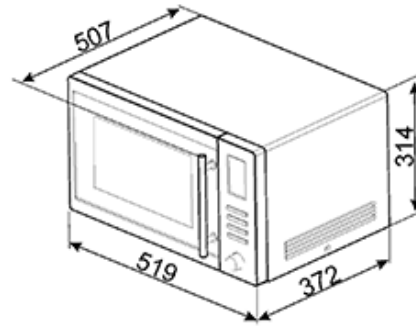
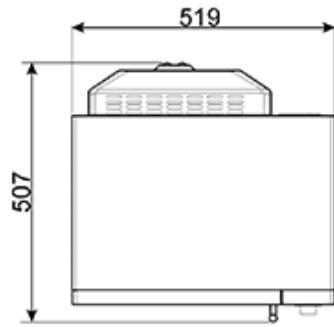
Microwave + circulaire + fan:

Cooking with the simultaneous use of the heating element in combination with fan and microwave supply.



MOE34CXI

microwave
60 cm
stainless steel



Smeg (UK) Ltd
The Magna Building, Wyndyke Furlong, Abingdon
OX14 1DZ
Tel. +44 (0)844 557 9907
Fax +44 (0)844 557 9337