

**Serie | 4, Built-in double oven,
Stainless steel
NBS533BS0B**



Included accessories

2 x combination grid
1 x universal pan
2 x Universal pan
slim size

Optional accessories

HEZ327000 : Pizza stone
HEZ531000 : Baking tray, grey enamelled
HEZ531010 : Baking tray, non-stick ceramic coated
HEZ538000 : 1fold telescopic rail, level independent
HEZ634000 : Baking and roasting grid (standard)
HEZ915003 : Glass roasting dish, 5,4 L

The built-in double compact oven with 3D hot air: achieve perfect baking and roasting results on multiple levels simultaneously.



- **3D Hotair:** perfect results thanks to optimal distribution of heat on up to 3 levels simultaneously.
- **Red LED display control:** easy-to-use thanks to clear time display.
- **Pop-out controls:** for an easy to clean front.
- **EcoClean Direct:** less cleaning effort thanks to a special coating which covers the rear wall of the lower oven.
- **Slim Universal Pans:** 2 universal pans, slim size; optimised for smaller dishes

Technical Data

Color / Material Front :	Stainless steel
Construction type :	Built-in
Integrated Cleaning system :	No
Dimensions of the product (mm) :	717 x 594 x 550
Dimensions of the packed product (HxWxD) (mm) :	790 x 695 x 660
Control Panel Material :	Stainless steel
Door Material :	Glass
Net weight (kg) :	47.647
Usable volume of cavity (l) :	47
Cooking method :	Conventional heat, Full width grill, Hot Air, Hot air grilling
Oven control :	mechanical
Number of interior lights :	1
Approval certificates :	CE, VDE
EAN code :	4242005034628
Energy efficiency class (2010/30/EC) :	A
Energy consumption per cycle conventional (2010/30/EC) :	0.84
Energy consumption per cycle forced air convection (2010/30/EC) :	0.71
Energy efficiency class (2010/30/EC) - cavity 2 :	B
Energy consumption per cycle conventional - cavity 2 (2010/30/EC) :	0.83
Energy efficiency index (2010/30/EC) :	94.7
Energy efficiency index cavity 2 (2010/30/EC) :	120.3
Connection rating (W) :	5300
Current (A) :	25
Voltage (V) :	220-240
Frequency (Hz) :	50
Plug type :	fixed connection, no plug



4 242005 034628

Serie | 4, Built-in double oven, Stainless steel NBS533BS0B

The built-in double compact oven with 3D hot air: achieve perfect baking and roasting results on multiple levels simultaneously.

Design

- LED-Display Control (Red)
- Interior halogen light
- Rotary dial, Retractable control dials, round

Features

- Control panel lock
- Electronic clock timer
- Automatic start

Top oven additional features

- Cavity volume: 34 litre capacity
- Full glass inner door
- Cavity (inner surface) top: Enamel grey
- Door hinge small cavity: Drop down oven door
- 3 shelf positions

Main oven additional features

- Cavity volume: 47 litre capacity
- EcoClean Direct : back panel
- Full glass inner door
- Door hinge big cavity: Drop down door

Top oven

- Oven with 3 heating methods: conventional top/bottom heat, Large-area grill, Small area grill
- Temperature range 50 °C - 275 °C

Main oven

- Oven with 5 heating methods: 3D Hotair, conventional top and bottom heat, Hotair grilling, full width variable grill, Hotair gentle
- Temperature range 50 °C - 275 °C
- Fast pre-heating function

Accessories

- 2 x combination grid, 1 x universal pan, 2 x Universal pan, slim size

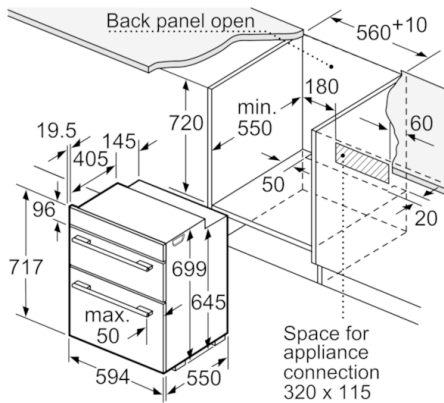
Performance/technical information

- Energy efficiency rating (acc. EU Nr. 65/2014): B (at a range of energy efficiency classes from A+++ to D) Energy consumption

per cycle in conventional mode: 0.83 kWh Number of cavities: Top Cavity Heat source: electrical

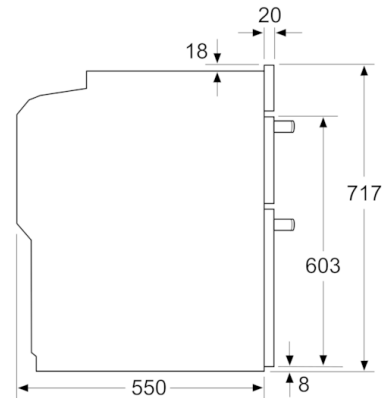
- Energy efficiency rating (acc. EU Nr. 65/2014): B (at a range of energy efficiency classes from A+++ to D) Energy consumption per cycle in conventional mode: 0.83 kWh Energy consumption per cycle in fan-forced convection mode: 0.71 kWh Number of cavities: Main Cavity Heat source: electrical
- Total connected load electric: 5.3 KW
- Nominal voltage: 220 - 240 V
- Appliance dimension (hxwx): 717 mm x 594 mm x 550 mm
- Niche dimension (hxwx): 720 mm - 720 mm x 560 mm - 568 mm x 550 mm
- Please refer to the dimensions provided in the installation manual

Serie | 4, Built-in double oven, Stainless steel NBS533BS0B

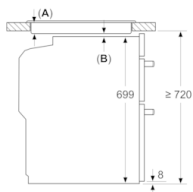


measurements in mm

measurements in mm



measurements in mm
Installation with a hob



- A: Recessed depth 29-50 mm.
See hob dimensional drawing.
B: Min. distance:
Induction hob: 5 mm
Gas hob: 5 mm
Electric hob: 2 mm

measurements in mm

If the appliance will be installed underneath a hob, the following worktop thicknesses (including substructure if necessary) must be taken into account.

Hob type	min. worktop thickness	
	fitted	flush
Induction hob	39	40
Full-surface induction hob	49	50
Gas hob	29	40
Electric hob	29	32