

More freedom in the kitchen

The 6000 Bridge Extractor Hob combines an induction hob to fit a 60cm cabinet, with a powerful built-in extractor for optimal air flow. It also has a Bridge function, allowing you to combine two cooking zones into one for larger cookware.

Product Benefits & Features

The Bridge Extractor Hob. For greater kitchen freedom

The Bridge Extractor Hob combines an induction hob to fit a 60cm cabinet with a powerful built-in extractor for optimal airflow. The hob's Bridge function also allows you to combine two cooking zones into one for larger cookware.



The Bridge feature – cooking versatility with two zones

The convenient Bridge feature links two zones to create a larger cooking area. Both zones are automatically power aligned for seamless cooking performance.

4 Individual Zone Controls. Unlimited cooking options

4 Individual Zone Controls, with 9 power levels, allow you to individually control 4 different cooking areas and set separate timers for each. Other functions include power boost, active touch, child lock and automatic extractor control.



Long-Life Carbon Filter. Clean and re-use multiple times

The Long-Life Carbon Filter is easy to clean, so your kitchen air stays fresh, and your fan runs at its best for longer. Filters can be loaded in the dishwasher for cleaning, easily refitted and regenerated up to 8 times for extended life.



Automatic Extractor Control. Adjusts as you cook

Automatic Extractor Control allows you to focus on what matters – cooking. The hob will automatically switch on and adjust the extraction level according to your cooking activities, keeping your kitchen fresh and hands free.

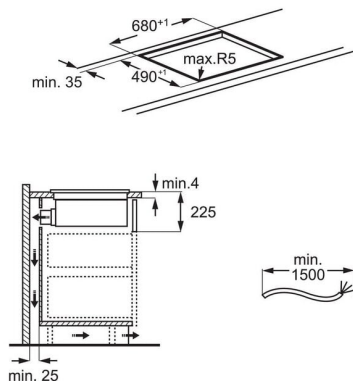


- ComboHob: 2-in-1 combination of hob and extractor fan.
- Residual heat indicators: Show when the hob surface is still hot after use.
- PowerBoost: Gives an instant increase in temperature allowing water to boil in less than 90 seconds.
- Child lock safety function.
- Auto safety switch off: The power automatically turns off if a cooking zone is left on for too long.
- Bridging function: Combines 2 cooking zones allowing flexibility for any size pan.
- Inverter motor
- Grease filter indicator.
- Charcoal filter indicator.
- Grease filter type and number: Odour Clean Carbon Filter, 2
- Minute minder
- EcoTimer™: Saves energy by using the residual heat from the hob, turning off the cooking zone before the end of your timer to boost efficiency.
- Automated extraction: Auto mode adjusts the extractor fan based on hob temperature changes, so you can focus entirely on cooking.
- Pause functionality allows you to take short breaks without losing your cooking settings.
- Extraction mode: A ducting kit is attached to the hood to extract cooking vapours externally, keeping the kitchen free from odours.

Product Specification

Frame Type	Statement Frame Matt Black	Recirculated Extraction Rate - Min/Max/Intensive (m³/h)	250/480/585
Dimensions (mm) (WxD)	730x520	Ducted Noise Level - Min/Max/Intensive (dB)	50/66/69
Built-in Dimensions (mm) (HxWxD)	225x680x490	Extraction Type - Recirculation	Yes
Air Outlet (mm)	220	Extraction Type - Ducted	Yes
Grease Filter Type	Odour Clean Carbon Filter	Hob2Hood Connection	Yes
Number of Grease Filters	2	Net Weight (Kg)	17.1
Aperture Cut Out (mm)	5	Gross Weight (Kg)	21.1
Energy Rating	A+		
Fluid Dynamic Efficiency Rating	A		
Grease Filter Efficiency Rating	B		
Motor Type	Brushless		
Cord Length (m)	N/A		
Bar Code	7333394017891		
Product Number (PNC)	AEG Premier Line		
Plug or Hardwired	Hardwired connection only		
Left Front - Power/Diameter	2300/3200W/210mm		
Left Rear - Power/Diameter	2300/3200W/210mm		
Right Front - Power/Diameter	1400/2500W/145mm		
Right Rear - Power/Diameter	1800/2800W/180mm		
Number of Cooking Zones	4		
Series	6000		
Hob Type	Induction Extractor Hob		
Ducted Extraction Rate - Min/Max/Intensive (m³/h)	650/550/270		

251105QU2E



PSGBHH230DE00001

