



#### More freedom in the kitchen

The 6000 Bridge Extractor Hob combines an induction hob to fit a 60cm cabinet, with a powerful built-in extractor for optimal air flow. It also has a Bridge function, allowing you to combine two cooking zones into one for larger cookware.

#### Product Benefits & Features

##### The Bridge Extractor Hob. For greater kitchen freedom

The Bridge Extractor Hob combines an induction hob for 60cm cabinets with a powerful built-in extractor for optimal airflow. Its Bridge function merges two cooking zones at the same temperature, ideal for bigger pots or plancha grill.



##### Long-Life Carbon Filter. Clean and re-use multiple times

The Grease Filter and Long-Life Carbon Filter are easy to clean in the dishwasher, so your kitchen air stays fresh, and your fan runs at its best for longer. Carbon filters can after cleaning be regenerated up to 8 times for extended life up to 3 years.



##### Modern, matt black beauty. Our most scratch-resistant surface

A modern design statement at the heart of your kitchen. The SaphirMatt® hob's matt black finish enhances its minimalist aesthetic. Made with our most scratch-resistant, fingerprint-resistant surface for lasting, effortless beauty.



##### 4 Individual Zone Controls. Unlimited cooking options

4 Individual Zone Controls, with 9 power levels, allow you to Individually control 4 different cooking areas and set separate timers for each. Other functions include power boost, active touch, child lock and automatic extractor control.



##### Automatic Extractor Control. Adjusts as you cook

Automatic Extractor Control allows you to focus on what matters – cooking. The hob will automatically switch on and adjust the extraction level according to your cooking activities, keeping your kitchen fresh and hands free.



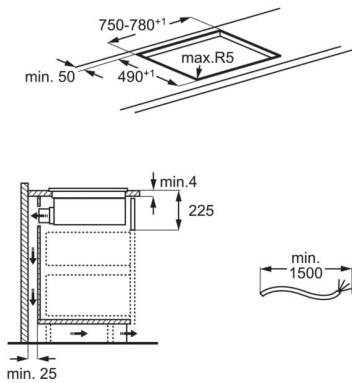
- Child lock safety function.
- Auto safety switch off: The power automatically turns off if a cooking zone is left on for too long.
- Grease filter indicator.
- Charcoal filter indicator.

#### Product Specification

Frame Type	Statement Frame Matt Black
Dimensions (mm) (WxD)	830x520
Built-in Dimensions (mm) (HxWxD)	225x750 - 780x490
Air Outlet (mm)	220
Grease Filter Type	Aluminium mesh
Number of Grease Filters	2
Aperture Cut Out (mm)	5
Energy Rating	A+
Fluid Dynamic Efficiency Rating	A
Grease Filter Efficiency Rating	B
Motor Type	Brushless
Cord Length (m)	N/A
Bar Code	7333394075815
Product Number (PNC)	Exclusive KR Partner
Plug or Hardwired	Hardwired connection only
Left Front - Power/Diameter	2300/3200W/210mm
Left Rear - Power/Diameter	2300/3200W/210mm
Right Front - Power/Diameter	1400/2500W/145mm
Right Rear - Power/Diameter	1800/2800W/180mm
Number of cooking zones	4
Series	6000
Hob Type	Induction ExtractorHob
Ducted Extraction Rate - Min/Max/Intensive (m³/h)	650/550/270

Recirculated Extraction Rate - Min/Max/Intensive (m³/h)	250/480/585
Ducted Noise Level - Min/Max/Intensive (dB)	50/66/69

PSGBHH240DE00001



PSGBHH240DE00008

