

### Frying made easy. Perfect results every time

The 7000 SenseFry® Extractor Hob lets you know when your frying pan reaches the optimal temperature and maintains even heat for perfect taste and texture. It also has a powerful built-in extractor that rids your kitchen of steam and odours.

## Product Benefits & Features

### The SenseFry® Extractor Hob. Frying just got easier



SenseFry® removes guesswork when frying. It lets you know when the pan is at the right temperature and maintains optimal heat level for excellent results. No adjustments needed along the way. No more burned food and no overcooked steaks.

### Long-Life Carbon Filter. Clean and re-use multiple times



The Grease Filter and Long-Life Carbon Filter are easy to clean in the dishwasher, so your kitchen air stays fresh, and your fan runs at its best for longer. Carbon filters can after cleaning be regenerated up to 8 times for extended life up to 3 years.

### DoubleBridge. Makes more of your hob



With DoubleBridge, you can combine two cooking zones on two different cooking areas. Perfect for accommodating cookware of various sizes, the feature also aligns temperature and time settings for maximum flexibility in the kitchen.

### 4 Individual Zone Controls. Unlimited cooking options



4 Individual Zone Controls, with 9 power levels, allow you to Individually control 4 different cooking areas and set separate timers for each. Other functions include power boost, active touch, child lock and automatic extractor control.

### Automatic Extractor Control. Adjusts as you cook



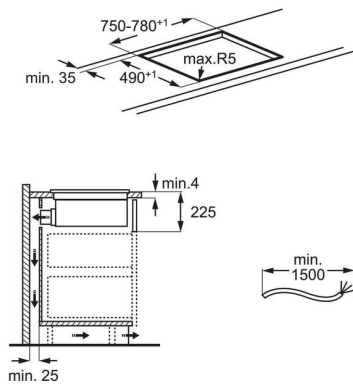
Automatic Extractor Control allows you to focus on what matters – cooking. The hob will automatically switch on and adjust the extraction level according to your cooking activities, keeping your kitchen fresh and hands free.

- ComboHob: 2-in-1 combination of hob and extractor fan.
- Residual heat indicators: Show when the hob surface is still hot after use.
- PowerBoost: Gives an instant increase in temperature allowing water to boil in less than 90 seconds.
- Child lock safety function.
- Auto safety switch off: The power automatically turns off if a cooking zone is left on for too long.
- Inverter motor
- Grease filter indicator.
- Charcoal filter indicator.
- Grease filter type and number: Odour Clean Carbon Filter, 2
- Minute minder
- EcoTimer™: Saves energy by using the residual heat from the hob, turning off the cooking zone before the end of your timer to boost efficiency.
- Automated extraction: Auto mode adjusts the extractor fan based on hob temperature changes, so you can focus entirely on cooking.
- Extraction mode: A ducting kit is attached to the hood to extract cooking vapours externally, keeping the kitchen free from odours.
- Recirculation mode: The hood captures cooking vapours, filters the air through the charcoal filter, and recirculates clean air back into the kitchen, keeping it free from odours.

#### Product Specification

Frame Type	Statement Frame Matt Black	Recirculated Extraction Rate - Min/Max/Intensive (m³/h)	250/480/585
Dimensions (mm) (WxD)	830x520	Ducted Noise Level - Min/Max/Intensive (dB)	50/66/69
Built-in Dimensions (mm) (HxWxD)	225x750 - 780x490	Extraction Type - Recirculation	Yes
Air Outlet (mm)	220	Extraction Type - Ducted	Yes
Grease Filter Type	Odour Clean Carbon Filter	Hob2Hood Connection	Yes
Number of Grease Filters	2	Net Weight (Kg)	18.4
Aperture Cut Out (mm)	5	Gross Weight (Kg)	22.8
Energy Rating	A+		
Fluid Dynamic Efficiency Rating	A		
Grease Filter Efficiency Rating	B		
Motor Type	Brushless		
Cord Length (m)	1.5		
Bar Code	7333394058511		
Product Number (PNC)	K - Customer Specific KRT		
Plug or Hardwired	Hardwired connection only		
Left Front - Power/Diameter	2300/3200W/210mm		
Left Rear - Power/Diameter	2300/3200W/210mm		
Right Front - Power/Diameter	2300/3200W/180x210mm		
Right Rear - Power/Diameter	2300/3200W/180x210mm		
Number of Cooking Zones	4		
Series	7000		
Hob Type	Induction Extractor Hob		
Ducted Extraction Rate - Min/Max/Intensive (m³/h)	650/550/270		

2511057SY7



PSGBHH240DE00008

