



Great results in half the time

The 6000 CombiQuick® CombiOven uses hot air circulation with microwave technology to provide cooking in half the time without sacrificing flavour. You can also grill, roast and bake – all in one.

Product Benefits & Features



Microwave with Hot Air. For better and faster heating

Microwave with hot air provides dual functions – microwave and convection cooking, which merges hot air circulation and advanced microwave technology so your food is cooked faster and more evenly.



EXPlore. Easy access to your oven's functions

EXPlore allows you to effortlessly control the settings of your oven to know what's happening with your cooking. With the LED display and WiFi connectivity, you can easily see the time, temperature and progress of your dish.

Assisted Cooking. Extra help when cooking

The AssistedCooking function gives you intuitive access to a range of dishes where the oven adjusts automatically. Or the time and temperature can be fully controlled by you.



Get connected. And change the way you cook

Connectivity lets you control your oven from anywhere with our app. Get tips and improve cooking techniques with app-controlled functions at your fingertips.



Cooked Evenly everywhere

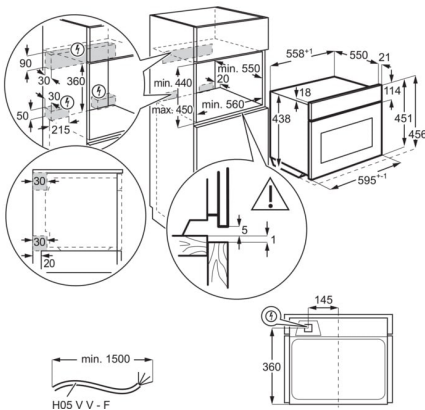
The clever Hot Air convection system ensures hot air circulates evenly throughout the oven cavity, for a cooking process that is faster, and more energy efficient.

- Connectivity: Control your oven via your smartphone or tablet.
- Electronic touch controls.
- Cooling fan
- Microwave function
- Fan controlled defrosting: Great for delicate items like cream cakes, by using room-temperature air to defrost food in half the time.
- LED digital display
- Isofront® plus triple glazed doors with a heat reflective coating.
- Retractable controls
- Child lock: Oven controls can be locked to prevent misuse, providing safety and peace of mind.
- Turbo grilling
- Inverter microwave technology cooks food evenly, preventing hot spots by spreading heat consistently.

Product Specification

Main Colour	Black	Interior Light	1, Top halogen
Built-in Dimensions (mm) (HxWxD)	450x560x550	Lamp power (W)	25
Functions (Main Oven)	Bottom heat (menu), Conventional cooking + microwave (menu), Conventional/Traditional cooking, Defrost, Frozen food (menu), Grill (menu), Grill + microwave (menu), Microwave, Pizza setting, Reheating, True fan cooking, True fan cooking + Microwave, Turbo grilling, Turbo grilling + Microwave	Oven Energy Source	Electrical
Connectivity	Yes	Product Type	Built-in Electric Oven
Total Electricity Loading (W)	3000	Noise (dB)	48
Steam Category	No	Gross Weight (Kg)	35
Timer Type	Electronic display with clock, minute minder, cooking duration and delay start.	Net Weight (Kg)	33.3
Main Oven - Internal Capacity (L)	44	Main Oven - Trays Included	1 Dripping pan grey enamel, 1 Easy2Clean Cake tray, 1 Trivet chromed
Cleaning	Clean enamel	Main Oven - Shelves Included	1 Wire shelf chromed
Dimensions (mm) (HxWxD)	455x595x567	Main Oven - Shelf Support	Side grids Easy entry
Oven control type	Pop in / Pop out flat Spin	Cord Length (m)	1.5
Max Power Grill - Top Oven (W)	1900	Plug or Hardwired	Hardwired connection only
Max power oven, W	3000	Included Fittings	Wood screws
Temperature Range	30°C - 300°C	Cavity Coating	Grey Enamel
Largest Surface area	1424	N° of cavities	1
		PNC	944 005 201
		Bar Code	7333394107714
		Required Fuse (A)	16

PSGBOV230DE00001



PSGBOV230DE00002

