



The efficiency of a microwave, plus steam for healthy meals

All the things you demand from a microwave and more. The 6000 Microwave with SteamSet allows you to use steam to prepare your favorite healthy dishes.

Product Benefits & Features



The efficiency of a microwave, plus steam for healthy meals

All the things you demand from a microwave and more. The 6000 Microwave with SteamSet allows you to use steam to prepare healthy dishes with steam.



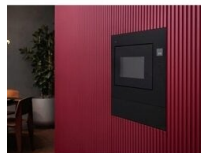
Effortless, touch-button door

Convenient and effortless: The door opens with a touch.



Perfect fit: Simplified, one-tool installation

Extra easy installation with Perfect Fit. Only one tool needed for a perfect result.



Elegant, glossy black surface

The microwave's sleek, minimalist design in high-gloss black matches the oven and other appliances.



Child lock button to prevent accidental operation

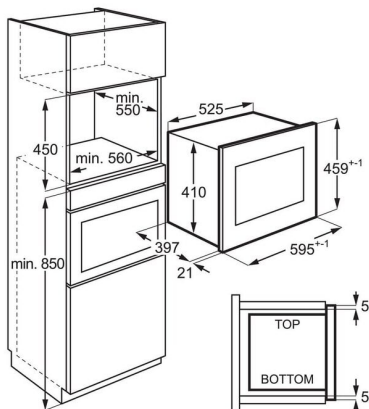
Child lock button enables the microwave to be locked to keep children or others unfamiliar with the appliances from operating it.

- LED digital display.
- Control type: Touch control power selection.
- Cooking functions: Microwave
- Quick Start: Starts immediately at full power with 30-second intervals.
- Auto Defrost: Simplifies defrosting, just choose the food type and weight for optimal results.
- Turntable diameter and material: 325 mm, Glass
- End of cooking signal: Alerts you when your food is ready.
- Child lock: Oven controls can be locked to prevent misuse, providing safety and peace of mind.
- SteamSet Accessory: Enjoy healthy and tasty meals using the combination of microwave and steam.

Product Specification

Maximum Microwave Output (W)	900
Number of Power Levels	5
Capacity (L)	26
Plug or Hardwired	UK Moulded Plug
Noise (dB)	57.4
Installation Type	Fully Built In
Dimensions (mm) (HxWxD)	459x596x404
Built-in Dimensions (mm) (HxWxD)	450x562x500
Frequency (Hz)	50
Colour	Black
Cavity Material	Painted Steel
Voltage (V)	230
Required Fuse (A)	10
Product Number (PNC)	All Open
Internal Dimensions (mm) (HxWxD)	192x348x370
Grill	No
Pre-programmed	Child Lock, Instant On/+30 Seconds, Quick Start
Signal Type	End signal, Touch signal
Turntable	Yes
Turntable Diameter (mm)	325
Net Weight (Kg)	18.3
Gross Weight (Kg)	21.5

241118XBAV



PSGBMC220DE00002

