



#### Great results in half the time

The 6000 CombiQuick® CombiOven uses hot air circulation with microwave technology to provide cooking in half the time without sacrificing flavour. You can also grill, roast and bake – all in one.

#### Product Benefits & Features



#### Microwave with Hot Air. For better and faster heating

Microwave with hot air provides dual functions – microwave and convection cooking, which merges hot air circulation and advanced microwave technology so your food is cooked faster and more evenly.



#### EXPlore. Easy access to your oven's functions

EXPlore allows you to effortlessly control the settings of your oven to know what's happening with your cooking. With the LED display, 5-touch buttons and 2 rotary knobs, you can easily see the time, temperature and progress of your dish.



#### Cooked Evenly everywhere

The clever Hot Air convection system ensures hot air circulates evenly throughout the oven cavity, for a cooking process that is faster, and more energy efficient.

#### Grill function. For faster browning and grilling

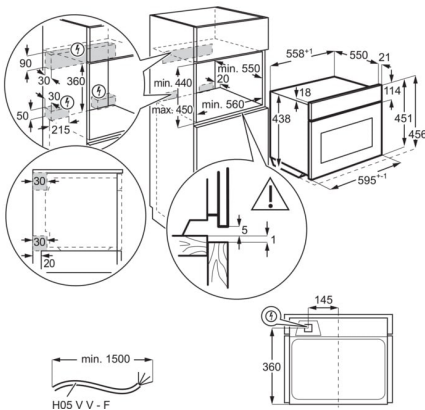
Perfect for toasts or crispy dishes, the Grill function is highly efficient to toast, crisp or brown your dishes to precision.

- Electronic touch controls.
- Cooling fan
- Microwave function
- Fan controlled defrosting: Great for delicate items like cream cakes, by using room-temperature air to defrost food in half the time.
- LED digital display
- Isofront® plus triple glazed doors with a heat reflective coating.
- Retractable controls
- Child lock: Oven controls can be locked to prevent misuse, providing safety and peace of mind.
- Turbo grilling
- Inverter microwave technology cooks food evenly, preventing hot spots by spreading heat consistently.

#### Product Specification

Main Colour	Black	Lamp power (W)	25
Built-in Dimensions (mm) (HxWxD)	450x560x550	Oven Energy Source	Electrical
Functions (Main Oven)	Bottom heat (menu), Conventional cooking + microwave (menu), Conventional/Traditional cooking, Defrost, Frozen food (menu), Grill (menu), Grill + microwave (menu), Microwave, Pizza setting, Reheating, True fan cooking, True fan cooking + Microwave, Turbo grilling, Turbo grilling + Microwave	Product Type	Built-in Electric Oven
Connectivity	No	Gross Weight (Kg)	33.9
Total Electricity Loading (W)	3000	Net Weight (Kg)	32.2
Steam Category	No	Main Oven - Trays Included	1 Dripping pan grey enamel, 1 Trivet chromed
Timer Type	Electronic display with clock, minute minder, cooking duration and delay start.	Main Oven - Shelves Included	1 Wire shelf chromed
Main Oven - Internal Capacity (L)	44	Main Oven - Shelf Support	Side grids Easy entry
Cleaning	Clean enamel	Cord Length (m)	1.5
Dimensions (mm) (HxWxD)	455x595x567	Plug or Hardwired	Hardwired connection only
Oven control type	Pop in / Pop out flat Spin	Included Fittings	Wood screws
Max Power Grill - Top Oven (W)	1900	Cavity Coating	Grey Enamel
Max power oven, W	3000	N° of cavities	1
Temperature Range	30°C - 230°C	PNC	944 005 251
Interior Light	1, Top halogen	Bar Code	7333394115030

PSGBOV230DE00001



PSGBOV230DE00002

