

Freestanding Range Cooker, Dual Fuel, 90cm, 5 Burners

Series 7 | Classic

Black

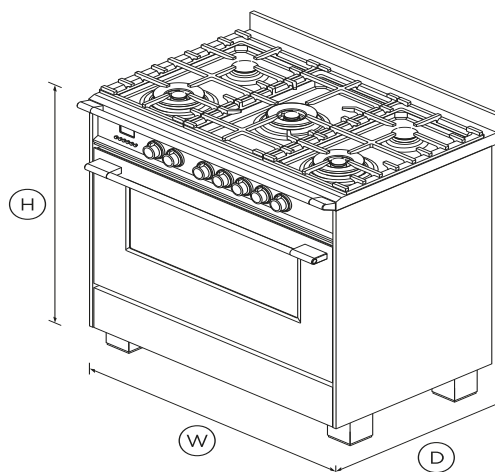


Get the best of both worlds with dual fuel. A gas hob with wok burner is paired with a nine-function convection oven.

- Five burner gas hob, with precise heat control
- Convection oven with 140L total capacity and nine oven functions including Pastry Bake with pizza mode and rapid proof for making bread
- Non-tip full-extension shelves for safe removal of hot dishes

DIMENSIONS

Height	898 - 946 mm
Width	897 mm
Depth	600 mm



FEATURES & BENEFITS

Multi-shelf cooking

Our AeroTech™ system circulates air evenly throughout the entire oven so dishes on the top shelf turn out just as perfectly as food cooking on the bottom shelf.

Quality and durability

Every detail has been carefully crafted. The solid, perfectly balanced soft-close door, durable hob trivets and glowing halo dials all add up to an exceptional, premium range.

Burner power & control

Instant and immediate control from the highest to the gentlest heat. The finely tuned hob controls let you sear, stir fry or simmer a delicate sauce to perfection.

Large capacity oven

The generous 140L total capacity oven gives you plenty of space to cook multiple dishes at once.

Easy to clean

Your hob simply needs a quick wipe to keep it looking good as new for years to come, as the gas hob is made from a single piece of stainless steel that contains spills. The oven door, its inner pane of glass and runners can also be removed for easy cleaning.

Even heat

Accurate, electronically-controlled oven heat ensures a great result every time.

SPECIFICATIONS

Accessories

Chromed shelf runners	1 set
Flat wire shelf	•
Full extension sliding shelves	1 set (part 578744)
Grill rack	•
Kick strip, stainless steel	Part 81661
Roasting dish	•
Small pot support	1 (part 533981 cast)
Step down wire shelf	•
Wok stand	1 (part 534678)

Capacity

Shelf positions	6
Total capacity	140L

Usable capacity **120L**

Cleaning

- Acid resistant graphite enamel •
- Drop down grill element •
- Removable oven door •
- Removable oven door inner •
- Removable shelf runners •

Consumption

Energy rating **A**

Controls

- Audio feedback •
- Automatic cooking/minute •
- Automatic pre-set •
- Bright chromed, cast zinc dials •
- Celsius/Fahrenheit •
- Electronic clock •
- Interior light •
- Laser etched graphics •
- Precise electronic temperature •
- Sabbath mode with Federation •
- Turned stainless steel clock •

Cooktop Features

- Dishwasher safe trivets •
- Hob rail •
- Hob rear trim **60mm**

- LPG/Natural gas compatible •
- Sealed range top •

Cooktop Performance

- Dual wok burner inner/outer **0.3 - 4.5kW**
- Dual wok burner inner/outer **0.4 - 4.5kW**
- Max burner power **4.5kW**
- Number of burner elements **5**
- Number of burners **5**
- Semi-rapid burner (LPG) x2 **0.45 - 1.2kW**
- Semi-rapid burner (natural gas) **0.45 - 1.2kW**
- Total cooktop power **14.9kW**
- Triple ring wok burner (LPG) **1.8 - 4kW**
- Triple ring wok burner (natural) **1.8 - 4kW**

Oven features

- AeroTech™ technology •
- Automatic rapid pre-heat •
- Electronic oven control •
- Full extension telescopic **1 set (part 578744)**
- Internal light **4 x 25W halogen (2 side & 2**
- Soft open/close door •
- Storage drawer •
- True convection •
- Twin cavity fans •

Oven functions

- Bake •
- Classic bake •
- Energy slow cook •

- Fan bake •
- Fan forced •
- Fan grill •
- Grill •
- Number of functions **9**
- Pastry Bake with Pizza mode •
- Rapid proof •
- Roast •

Oven performance

- CoolTouch door **Quadruple glazed**
- Grill power **4500W**

Power requirements

- Amperage **22A**
- Supply frequency **50Hz**
- Supply voltage **220 - 240V**

Product dimensions

- Depth **600 mm**
- Height **898 - 946 mm**
- Installation cutout dimensions **600 mm**
- Installation cutout dimensions **900 mm**
- Width **897 mm**

Safety

- Advanced cooling system •
- Anti-tilt bracket •
- Balanced oven door •
- CoolTouch door •

Flame failure system	•
Full extension telescopic	•
Non-tip shelves	•
Spill containment	2.6L

Warranty

Parts and labour	5 years
------------------	----------------

SKU	81697
-----	-------

The product dimensions and specifications in this page apply to the specific product and model. Under our policy of continuous improvement, these dimensions and specifications may change at any time. You should therefore check with Fisher & Paykel's Customer Care Centre to ensure this page correctly describes the model currently available. Â© Fisher & Paykel Appliances Ltd 2019.

Other product downloads available at fisherpaykel.com



User Guide



Service & Warranty Booklet



Installation Guide



Installation Guide (KICK-STRIP ATTACHMENT)



A PEACE OF MIND SALE

24 Hours 7 Days a Week Customer Support

T 1300 650 590 W www.fisherpaykel.com