



Great results in half the time with combined heating

The 8000 MealAssist Combiquick® combi Oven combines heating functions and microwave for cooking in half the time without compromising results. And the CookSmart Touch display guides you from everyday meals to the most ambitious dishes.

Product Benefits & Features

Microwave and Oven. Dual functions for delicious dishes



Microwave and Oven merges hot air circulation with advanced microwave technology for grilling, roasting and baking up to 50% faster than a conventional oven.

CookSmart Touch. Smart cooking at your fingertips



The CookSmart Touch display with swipe navigation lets you receive cooking tips and select oven functions. And with energy-saving tips, you can cook more efficiently. Your favourite dishes and methods can be saved on the app and sent to the oven at the touch of a button.

Functions and Dishes. Automatic settings and step-by-step guidance



Assisted cooking Functions provide the best settings and automatic options such as Roast, Reheat and Dough Prove for outstanding results. And the Assisted Dishes function offers step-by-step guidance for meat, baking, cooking plant-based dishes, fish or vegetables.

Ensure precise cooking with the new Food Sensor



The new Food Sensor notifies you when your desired temperature is reached and allows you to precisely monitor the cooking process to achieve perfect results every time.

Matt Black Design – a premium, stylish finish



The Matt Black Design is a premium, sophisticated finish composed of contrasting matt and glossy glass surfaces with a dark tint and polished edges. Sleek and aesthetic, it also resists fingerprints.

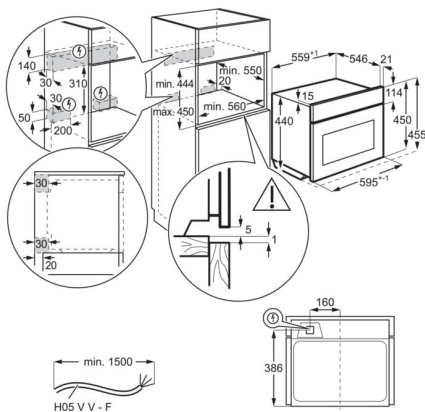
- Connectivity: Control your oven via your smartphone or tablet.
- Our award winning 4-inch display screen with intuitive touch control for easy use.
- Temperature probe
- SoftMotion™ for a smooth, silent action when closing the door.
- Electronic touch controls.
- Cooling fan
- Residual heat cooking uses the leftover heat in the oven to finish the cooking process, helping to reduce energy consumption.
- Microwave function
- Fan controlled defrosting: Great for delicate items like cream cakes, by using room-temperature air to defrost food in half the time.
- LED digital display
- Isofront® plus triple glazed doors with a heat reflective coating.
- Child lock: Oven controls can be locked to prevent misuse, providing safety and peace of mind.
- Turbo grilling
- Inverter microwave technology cooks food evenly, preventing hot spots by spreading heat consistently.

Product Specification

Main Colour	Matt Black
Built-in Dimensions (mm) (HxWxD)	450x560x550
Functions (Main Oven)	Bottom, Bread baking, Conventional cooking + Microwave, Defrost, Dehydrating, Dough proving, Grill, Grill + Microwave, Hot air, Hot air & Bottom, Hot air & Top, Keep warm, Melt, Microwave, Plate warming, Preserving, Reheating, Roast, Slow Cooking, Stew, Top, Top & Bottom, True fan cooking + Microwave, Turbo grilling + Microwave
Connectivity	Yes
Total Electricity Loading (W)	3000
Steam Category	No
Timer Type	CookSmart touch (4 inch display)
Main Oven - Internal Capacity (L)	44
Cleaning	Clean enamel
Dimensions (mm) (HxWxD)	455x595x567
Oven control type	Touch
Max Power Grill - Top Oven (W)	1900
Temperature Range	30°C - 230°C
Largest Surface area	1424
Interior Light	1, Top halogen
Lamp power (W)	25

Oven Energy Source	Electrical
Product Type	Built-in Electric Oven
Noise (dB)	52
Gross Weight (Kg)	35.3
Net Weight (Kg)	33.6
Main Oven - Trays Included	1 Dripping pan grey enamel, 1 Easy2Clean Cake tray, 1 Trivet chromed
Main Oven - Shelves Included	1 Wire shelf chromed
Main Oven - Shelf Support	Side grids Easy entry
Cord Length (m)	1.5
Plug or Hardwired	Hardwired connection only
Cavity Coating	Grey Enamel
N° of cavities	1
PNC	944 005 217
Bar Code	7333394107684
Required Fuse (A)	16

PSGBOV180DE0000H



PSGBOV180DE0000J

