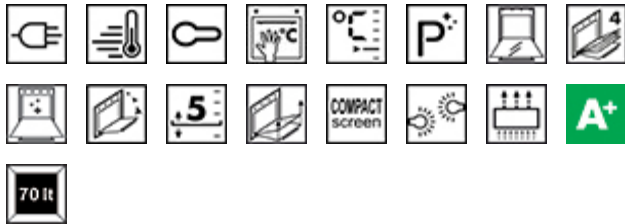


Oven - Linea - SFP6101TVN1

Oven, Linea, 60cm, Thermo-ventilated, Black, A+, Pyrolytic

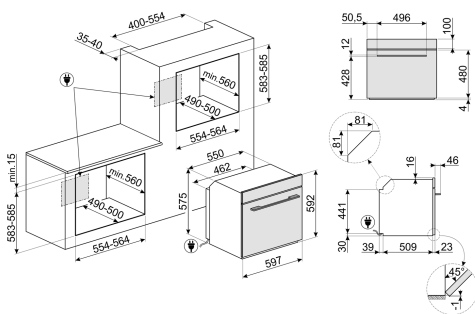


ACCESSORIES INCLUDED

- Grid with back and side stop: 1
- Enamelled deep tray (40mm): 1
- Telescopic Guide rails, partial Extraction: 1
- Insert grid: 1

OPTIONAL

- PRTX: Pizza stone, Cookers, Ovens
- PALPZ: Pizza shovel, Cookers, Ovens
- PPR2: Pizza stone, Cookers, Ovens
- BVG: Tray, Ovens
- BN620-1: Tray, Cookers, Ovens
- BN640: Tray, Cookers, Ovens
- BNP608T: Tray, Cookers, Ovens
- MDB: Handle
- SFLK1: Child Lock, Cookers, Ovens
- GT1T-2: Telescopic Guides, Ovens
- GT1P-2: Telescopic Guides, Ovens
- PR3845X: Antifingerprint, Ovens
- SMOLD: Moulds Set, Blast chillers, Ovens
- PIR2: Pan, Cookers, Ovens



TYPE

Cooking Method: Thermo-ventilated • Product Family: Oven • Category: 60cm • Power supply: Electric

AESTHETICS

Aesthetic: Linea • Glass Type: Clear • Serie: Linea • Door: Full glass • Handle: Linea • Handle Colour: Chromed • Colour: Black • Material: Glass

CONTROLS

Control knobs: Linea • No. of controls: 2 • Display: Yes • Control setting: Knobs & touch buttons

PROGRAMS / FUNCTIONS

No. of cooking functions: 10 • Traditional cooking functions: Static, Fan assisted, Circulaire, Turbo, Eco, Large grill, Fan grill (large), Base, Circulaire + bottom, Pizza • Other functions: Proving, Sabbath, Defrost by time • Cleaning functions: Pyrolysis

OPTIONS

End of cooking acoustic alarm: Yes • Timer: 1 • Tones: Standard • Other options: Keep warm, Eco light • Timer: Electronic • Showroom demo option: Yes • Rapid pre-heating: Yes • Time-setting options: Delay start and automatic end cooking • Controls Lock / Child Safety: Yes • Minute minder: Yes

TECHNICAL FEATURES

Door: Cool • Temperature control: Electronic • Shelves type: Metal racks • Door opening type: Standard opening • Cleaning system: Pyrolytic • Lower heating element power: 1200 W • Full glass inner door: Yes • No. of lights: 1 • Minimum Temperature: 30 °C • Total no. of door glasses: 4 • Light Power: 40 W • Cavity material: Ever clean Enamel • Soft Close hinges: Yes • Light when door is opened: Yes • Display generation: 2nd • Door Lock During Pyrolysis: Yes • No. of shelves: 5 • Safety Thermostat: Yes • Removable inner door: Yes • N. of fans: 1 • Removable door: Yes • Heating suspended when door is opened: Yes • Display name: CompactScreen • Grill element - power: 1800 W • Circular heating element - Power: 2000 W • User-replaceable light: Yes • Light type: Halogen • Oven control: Electronic • Cooling system: Tangential • Display technology: LCD • Maximum temperature: 280 °C

PERFORMANCE / ENERGY LABEL

Energy consumption in forced air convection: 2.45 MJ • Energy consumption in conventional mode: 3.92 MJ • Energy efficiency class: A+ • Energy consumption per cycle in fan-forced convection: 0.68 kWh • Net volume of the cavity: 70 l • Energy consumption per cycle in conventional mode: 1.09 kWh

ELECTRICAL CONNECTION

Voltage: 220-240 V • Frequency (Hz): 50/60 Hz • Current: 13 A • Nominal power: 3000 W