

iQ300, Fully-integrated dishwasher, 60 cm, varioHinge SN73HX03VG



Excellent wifi-enabled varioHinge dishwasher with program status projection on the floor, operable using a smartphone or voice assistant device.

- ✓ Optimal installation in your kitchen – varioHinge.
- ✓ varioSpeed Plus – Wash and dry your dishes up to three times faster.
- ✓ More flexibility for more convenient loading with the varioFlex rack & varioDrawer.
- ✓ infoLight shines with a blue light on the kitchen floor when the dishwasher is running.
- ✓ Control your smart dishwasher, no matter where you are.

Features

Technical Data

Energy Efficiency Class¹:C
 Energy Consumption for 100 cycles Eco Programme²: .. 75 kWh/100 cycles
 Maximum number of place settings: 14
 The water consumption of the eco programme in liters per cycle: 9.0 l
 Programme duration³:4:55 h
 Airborne acoustical noise emissions : 46 dB(A) re 1pW
 Airborne acoustical noise emission class:C
 Built-in / Free-standing: Built-in
 Height of removable worktop:0 mm
 Required niche size for installation (HxWxD): ..815-875 x 600 x 550 mm
 Depth with open door 90 degree:1150 mm
 Adjustable feet: Yes - all from front
 Maximum adjustability feet: 60 mm
 Adjustable plinth:Both horizontal and vertical
 Weight: 34.4 kg
 Gross weight: 36.2 kg
 Connection Rating: 2400 W
 Fuse protection:10 A
 Nominal power:220-240 V
 Frequency:50; 60 Hz
 Length electrical supply cord: 175 cm
 Plug type: GB plug
 Length inlet hose: 165 cm
 Length outlet hose: 190 cm
 EAN code:4242003985625
 Installation type: Fully integrated



Optional accessories

SZ30BI02	decorative strips stainless steel 81,5cm
SZ38BI00	Connection rail for divided furniture
SZ72010	inlet and outlet hose extension 2 m
SZ73100	cutlery basket
SZ73300	Wineglass-Tray

¹ Scale of Energy Efficiency Classes from A to G
² Energy consumption in kWh per 100 cycles (in programme Eco 50 °C)
³ Duration of programme Eco 50 °C

iQ300, Fully-integrated dishwasher, 60 cm, varioHinge SN73HX03VG

Features

Performance

- Energy Efficiency Class¹: C
- Energy² / Water³: 75 kWh / 9 litres
- Capacity: 14 place settings
- Programme duration⁴: 4:55 (h:min)
- Noise level: 46 dB(A) re 1 pW
- Noise Efficiency Class: C

Programmes/functions

- 6 programmes: Eco 50 °C, Auto 45-65 °C, Intensive 70 °C, Speed 65 °C, Speed 45 °C, Favourite
- Default favourite programme: Pre-Rinse
- 4 special options: Remote Start, intensiveZone, Half Load, Speed on Demand - varioSpeed Plus
- Machine care programme
- Add-On functions via Home Connect app: Hygiene Plus, Silence on Demand

Flexible design elements

- Heat exchanger - Hygienic and efficient drying
- hydroSensor
- dosageAssist detergent dispenser
- iQDrive motor
- Self-cleaning filter system with 3 piece corrugated filter
- Stainless steel/polinox interior

Innovations and technology

- varioFlex baskets
- varioDrawer - loading of cutlery on 3rd level
- 3 stage rackMatic height-adjustable top basket
- Low friction wheels on bottom basket
- Rack Stopper to prevent derailing of bottom basket
- 2 foldable plate racks in top basket
- 4 foldable plate racks in bottom basket
- Upper rack cup shelf

Design features

- Home Connect ready
- Controls on top edge of door
- English GB
- infoLight (blue) - Light projection on the floor
- acoustic end of cycle indicator, internal remaining programme time indicator (minutes), water inlet indicator
- acoustic end of cycle indicator
- Time delay (3, 6 or 24 hours)

spare ***

- aquaStop®: Siemens home appliances' warranty in case of water damage – throughout the lifetime of the appliance.*
- varioHinge 50mm
- Glass care protection system
- incl. Steam protection for worktop

New for 2021

- Dimensions (HxWxD): 81.5 x 59.8 x 55cm

¹ Scale of Energy Efficiency Classes from A to G

² Energy consumption in kWh per 100 cycles (in programme Eco 50 °C)

³ Water consumption in litres per cycle (in programme Eco 50 °C)

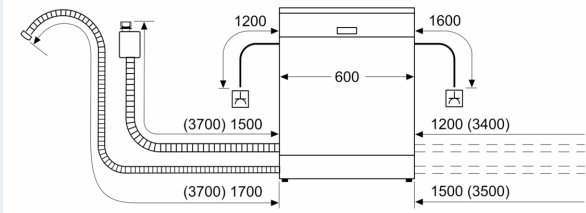
⁴ Duration of programme Eco 50 °C

* Please find warranty terms under <https://www.siemens-home.bsh-group.com/uk/customer-service/warranty/additional-warranties>

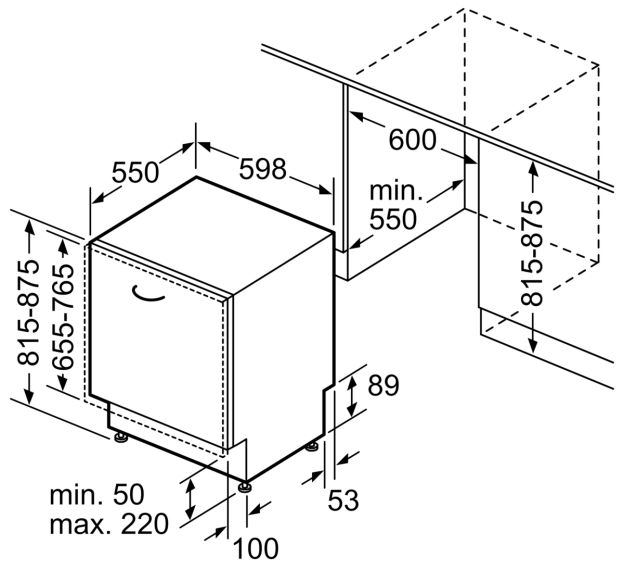
**iQ300, Fully-integrated
dishwasher, 60 cm, varioHinge
SN73HX03VG**

Dimensioned drawings

measurements in mm



⌘ socket
() values with extension kit



measurements in mm