

N 30, INDUCTION HOB, 60 CM, BLACK,
T36FBE1L0



Optional accessories

| | |
|----------|-------------------------|
| Z9404SE0 | 4 pieces Set |
| Z9406SE0 | 6 pieces Set |
| Z9410ES0 | Espresso maker 4 cups |
| Z9428FE0 | Iron pan Ø 18 / 28 cm |
| Z943SE0 | Set of 2 pots and 1 pan |

Induction cooktop with TouchControl.

- ✓ Touch Control – Control your hob with just one touch and a timer.
- ✓ Power Boost – An extra surge of heat when you need fast results.
- ✓ Induction – the heat is generated directly in the cookware for precise cooking that stops when power is off.

Features

Technical Data

| | | |
|----------------------------------------------------|-------|---------------------------|
| Product name/family: | | Cooking zone ceramic |
| Construction type: | | Built-in |
| Energy input: | | Electric |
| Number of cooking zones: | | 4 |
| Min. required niche size for installation (HxWxD): | .. | 51 x 560-560 x 490-500 mm |
| Width of the appliance: | | 592 mm |
| Dimensions: | | 51 x 592 x 522 mm |
| Dimensions of the packed product (HxWxD): | .. | 126 x 753 x 608 mm |
| Net weight: | | 9.3 kg |
| Gross weight: | | 11.5 kg |
| Residual heat indicator: | | Separate |
| Location of control panel: | | Hob front |
| Basic surface material: | | Ceramic |
| Color of surface: | | Black |
| Length of electrical supply cord: | | 110.0 cm |
| EAN code: | | 4242004264330 |
| Voltage: | | 220-240 V |
| Frequency: | | 50; 60 Hz |



N 30, INDUCTION HOB, 60 CM, BLACK, T36FBE1L0

Features

- 60 cm: space for 4 pots or pans.

Flexibility of cooking zones

- Cooking zone front left: 180 mm, 1.8 KW (max. power 3.1 KW)
- Cooking zone rear left: 180 mm, 1.8 KW (max. power 3.1 KW)
- Cooking zone rear right: 145 mm, 1.4 KW (max power 2.2 KW)
- Cooking zone front right: 210 mm, 2.2 KW (max. power 3.7 KW)

Usage convenience

- Touch control: control the power with imprinted +/- touch buttons.
- Variable 17-stage power settings for each zone: precisely adapt the heat with 17 power levels (9 main levels and 8 intermediate levels).
- Switch-off timer: switches off the cooking zone at the end of the time set (e.g. for boiled eggs).
- Count-down Timer: an alarm sounds at the end of the time set (e.g. for pasta).

Time saving & efficiency

- Power Boost function for all zones
- : boil water faster thanks to 50% more energy than at the highest standard level.
- QuickStart function: when switching on, the hob automatically selects the cooking zone with cookware (when placed on a zone whilst the hob is off).
- ReStart function: in case of unintentional switch-off, this feature restores all previous settings by switching on the hob again within 4 seconds.
- Quick-Off: quickly switch off a cooking zone with one longer touch.

Design

- Bevelled front edge

Safety

- 2 stage residual heat indicators: indicates which cooking zones are still hot or warm.
- Control panel lock: prevent unintended activation of the hob.
- Main switch: switch off all cooking zones at the touch of a button.
- Safety cut out facility: for safety reasons, heating stops after a preset time if not used (possible to customise).

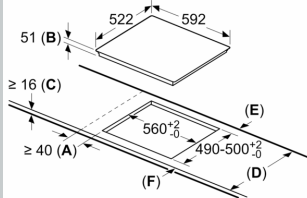
Installation

- Dimensions of the product (HxWxD mm): 51 x 592 x 522
- Required niche size for installation (HxWxD mm) : 51 x 560 x (490 - 500)
- Min. worktop thickness: 16 mm
- Connected load: 4.6 KW
- 4.6kW power output (20A); current management options for 16A, 13A or 10A connection: limit the maximum power if needed (depends on fuse protection of electric installation).
- Power cord: 1.1 m, connected directly

N 30, INDUCTION HOB, 60 CM, BLACK,
T36FBE1L0

Dimensioned drawings

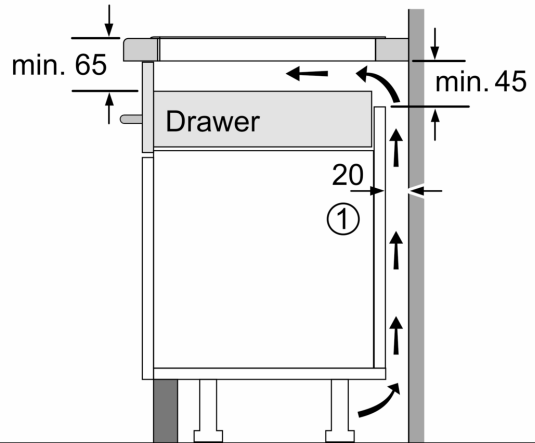
measurements in mm



- A: Minimum distance from the hob cut-out to the wall.
- B: Recessed depth
- C: The clearance between the surface of the worktop and the top of the front of the oven must be 30 mm. See space requirements for the oven.

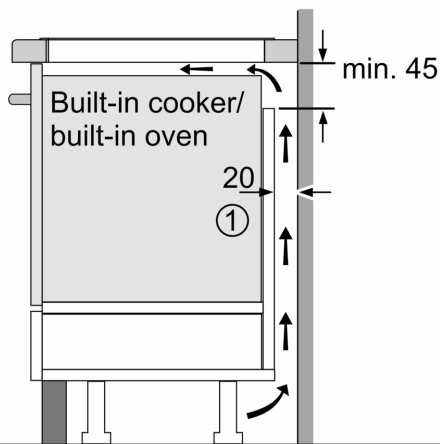
The worktop into which the hob is installed must withstand loads of approx. 60 kg; suitable substructures must be used if required.

| D | E | F |
|---------|------|------|
| 585-600 | 50 | ≥ 35 |
| > 600 | ≥ 50 | ≥ 50 |



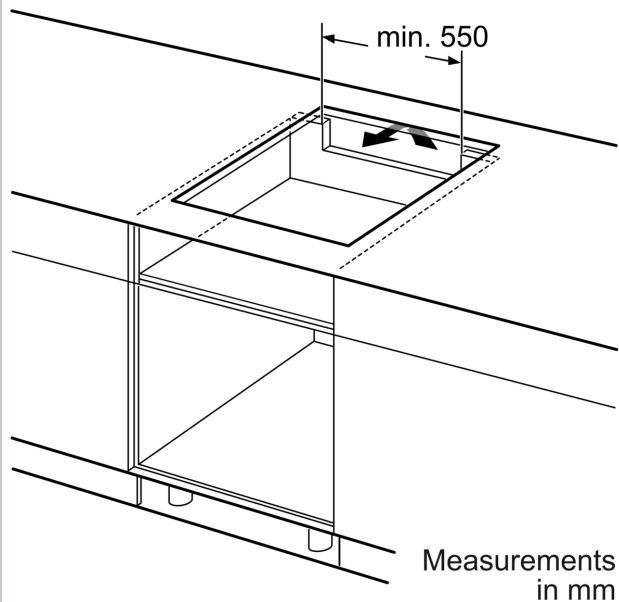
① Ventilation gap must be present.

Measurements in mm



① Ventilation gap must be present

All measurements in mm



Measurements in mm