

N 70
 T48FD23X0 INDUCTION HOB
 BEVELLED FRONT EDGE
 802 MM



Standalone induction cooktop with TouchControl.

- ✓ Induction - With induction cooking, the heat is generated directly in the cookware for precise cooking that stops when power is off.
- ✓ CombiZone with two possible arrangements: 2 individual induction cooking zones or 1 large combined induction cooking zone.
- ✓ TouchControl is a highly convenient way to control the hob. One touch is enough. A timer is also included.

Features

Technical Data

Product name/family : Cooking zone ceramic
 Construction type : Built-in
 Energy input : Electric
 Total number of positions that can be used at the same time : 5
 Required niche size for installation (HxWxD) : 51 x 750-750 x 490-500
 Appliance Width (mm) : 802
 Dimensions of the product (mm) : 51 x 802 x 522
 Dimensions of the packed product (HxWxD) (mm) : 126 x 953 x 603
 Net weight (kg) : 15.188
 Gross weight (kg) : 17.0
 Residual heat indicator : Separate
 Location of control panel : Hob front
 Basic surface material : Ceramic
 Color of surface : Black
 Approval certificates : AENOR, CE
 Length electrical supply cord (cm) : 110
 EAN code : 4242004195597
 Electrical connection rating (W) : 7400
 Voltage (V) : 220-240
 Frequency (Hz) : 50; 60

Optional accessories

Z9442X0 Set of 3 pots and 1 pan



N 70
T48FD23X0 INDUCTION HOB
BEVELLED FRONT EDGE
802 MM

Features

Control

- Touch control

Flexibility

- Combi zone
- 5 zone induction hob

Speacial features

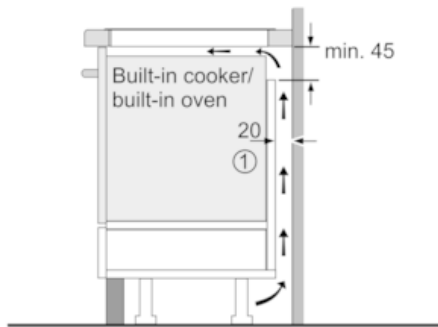
- Boost setting for all zones
- Variable 17-stage power settings for each zone
- Digital display of cooking levels
- 2 stage residual heat indicators
- Timer with automatic shut off for all zones
LED timer for each zone with switch off function and acoustic signal
- ReStart function
- Automatic pan recognition
4.6kW power output (20A); current management options for 16A, 13A or 10A connection
Safety cut out facility
Control panel lock
Control panel suspension
- Keep warm function
- Energy consumption display

Technical information

- Cooking zones: 1 x Ø 180 mm, 1.8 KW (max. Power levels 3.1 KW) Induction; 1 x Ø 145 mm, 1.4 KW (max. Power levels 2.2 KW) Induction; 1 x Ø 240 mm, 2.2 KW (max. Power levels 3.7 KW) Induction; 1 x Ø 210 mm, 2.2 KW (max. Power levels 3.7 KW) Induction; 1 x Ø 210 mm, 2.2 KW (max. Power levels 3.7 KW) Induction
- Measurement: (H/B/T) 51 x 802 x 522 mm
- Installation dimensions: (ID/W/D) 51 mm x 750 mm x 490 mm
- 80 cm width
- Length wire connection: 110 cm
- Main switch
- Min. worktop thickness: 30 mm
- Output 7400 W
- Cable included in packaging

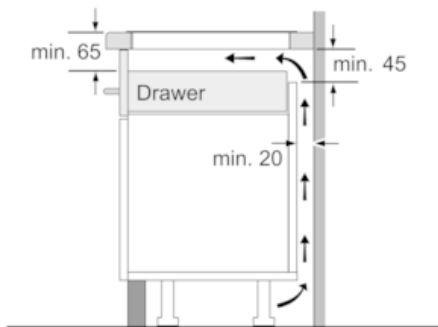
N 70
T48FD23X0 INDUCTION HOB
BEVELLED FRONT EDGE
802 MM

Dimensioned drawings

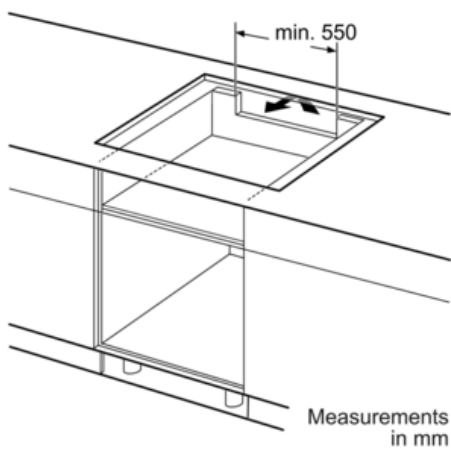


①
Ventilation gap must
be present

All measurements in mm



Measurements in mm



Measurements
in mm