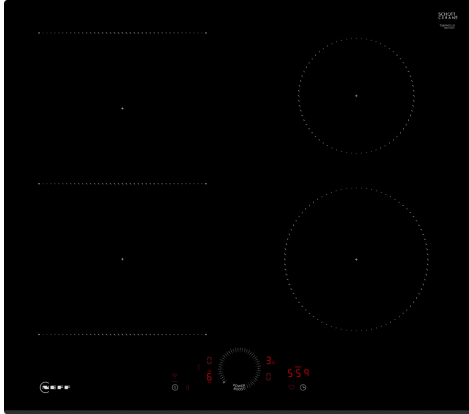


N 70, INDUCTION HOB, 60 CM, BLACK,
T56FHS1L0



Combi Induction cooktop with Twist Touch control.

- ✓ Twist Touch - Control your cooktop with a twist of your finger.
- ✓ Combi Induction - Combine two cooking zones to heat large cookware.
- ✓ Power Boost - An extra surge of heat when you need fast results.
- ✓ Smart Rangehood Automatic - The matching rangehood automatically adjusts on your cooktop settings while cooking.
- ✓ Favourite Button - Save and manage the settings of your choice.

Z1365WX0	Wireless food thermometer
Z9404SE0	4 pieces Set
Z9406SE0	6 pieces Set
Z9410ES0	Espresso maker 4 cups
Z9428FE0	Iron pan Ø 18 / 28 cm
Z943SE0	Set of 2 pots and 1 pan

Product name/family: Cooking zone ceramic
 Built-in / Free-standing: Built-in
 Energy input: Electric
 Total number of positions that can be used at the same time: 4
 Min. required niche size for installation (HxWxD): .. 51 x 560-560 x 490-500 mm
 Width of the appliance: 592 mm
 Dimensions: 51x592x522 mm
 Dimensions of the packed product (HxWxD): . 126 x 753 x 608 mm
 Net weight: 10.8 kg
 Gross weight: 13.1 kg
 Residual heat indicator: Separate
 Location of control panel: Front
 Basic surface material: Ceramic
 Color of surface: Black
 Length electrical supply cord: 110.0 cm
 EAN code:4242004272984
 Voltage: 220-240 V
 Frequency: 50; 60 Hz



*N 70, INDUCTION HOB, 60 CM, BLACK,
T56FHS1L0*

Design

- 60 cm: space for 4 pots or pans.
- Bevelled front edge

Flexibility of cooking zones

- Combi zone: 2 individual cooking zones can be combined into one large single cooking area
- : use bigger cookware by connecting two classic cooking zones into one large zone.
- Cooking zone front left: 190 mm, 210 mm, 2.5 KW (max. power 3.7 KW)
- Cooking zone rear left: 190 mm, 210 mm, 2.5 KW (max. power 3.7 KW)
- Cooking zone rear right: 145 mm , 1.6 KW (max power 2.2 KW)
- Cooking zone front right: 180 mm, 2 KW (max. power 3.1 KW)

Comfort & Convenience

- Multitouch+: directly control the power with the imprinted touch ring.
- My Button: directly access favourite functions with a configurable button (available with connected Home Connect account).
- 17 power levels for each cooking zone: precisely adapt the heat with 17 power levels (9 main levels and 8 intermediate levels).
- Switch Off Timer: switches off the cooking zone at the end of the time set (e.g. for boiled eggs).
- Countdown timer: an alarm sounds at the end of the time set (e.g. for pasta).
- Sound volume adaptable to personal preference.

Time saving & Efficiency

- PowerBoost: rapid heating for large pots of water, automatically turns off right on time to prevent overheating
- : boil water more quickly thanks to 50% more energy than at the highest standard level.
- QuickStart: Quick and automatic first pot detection: when switching on, the cooktop automatically selects the cooking zone with cookware (placed in off-mode).
- ReStart function: Quickly reinstates previous settings: in case of unintentional switch-off, restore all previous settings by switching on the cooktop again within 4 seconds.

Connectivity

- HomeConnect enabled: check if the cooktop is switched off even when not at home, and find recipes or additional functions in the Home Connect app. www.home-connect.co.nz
- Cooktop to Hood: automatically activates the hood when cooking, thanks to the WiFi connection of cooktop and suitable hood.
- yes, after software update
- : hood automatically adapts fan speed thanks to hob continuously providing cooking data (with matching hood and connected Home Connect account).
- via MyButton: open up the smart universe from your cooktop (partner service required).
- Updateable appliance (available with connected Home Connect account): keep appliance always up to date with latest status of software.

Safety

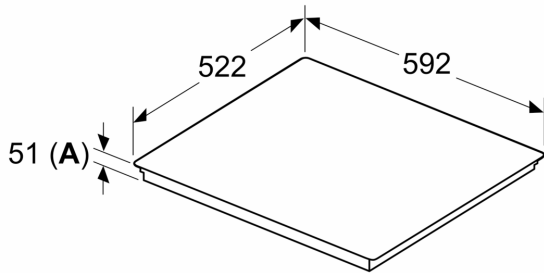
- Residual heat indicator (digital 2 stage: H/h): indicates which cooking zones are still hot or warm.
- Childproof lock: prevent unintended activation of the cooktop.
- Pause function : pause the heating process, e.g to answer the door.
- Main switch: switch off all cooking zones at the touch of a button.
- Automatic Safety switch-off: for safety reasons, heating stops after a preset time without interaction.

Installation

- Dimensions of the product (HxWxD mm): 51 x 592 x 522
- Required niche size for installation (HxWxD mm) : 51 x 560 x (490 - 500)
- Min. worktop thickness: 16 mm
- Connected load: 6.9 KW
- power management function: limit the maximum power if needed (depends on fuse protection of electric installation).

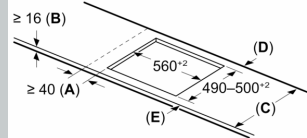
N 70, INDUCTION HOB, 60 CM, BLACK,
T56FHS1L0

Measurements in mm



A: Recessed depth

Measurements in mm



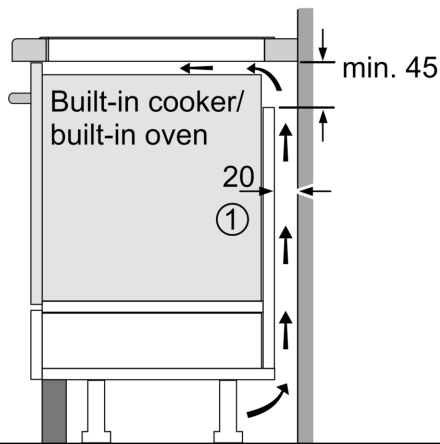
A: Min. distance from the hob cut-out to the wall

B: The clearance between the surface of the worktop and the top of the front of the oven must be 30 mm

See space requirements for the oven

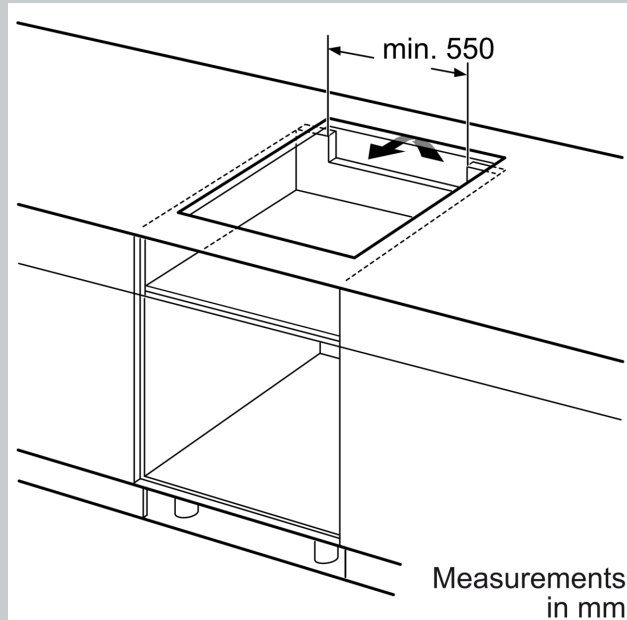
The worktop into which the hob is installed must withstand loads of approx. 60 kg; suitable substructures must be used if required

C	D	E
585-600	50	≥ 35
> 600	≥ 50	≥ 50

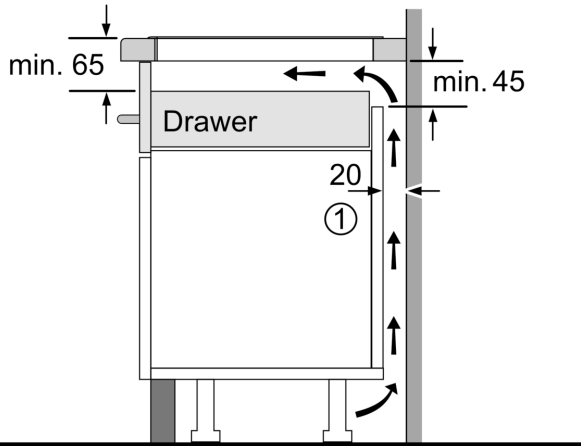


① Ventilation gap must be present

All measurements in mm



Measurements in mm



①
Ventilation gap must
be present.

Measurements in mm