

More freedom in the kitchen

The 6000 Bridge Extractor Hob combines an induction hob to fit a 60cm cabinet, with a powerful built-in extractor for optimal air flow. It also has a Bridge function, allowing you to combine two cooking zones into one for larger cookware.

Product Benefits & Features

The Bridge Extractor Hob. For greater kitchen freedom

The Bridge Extractor Hob combines an induction hob to fit a 60cm cabinet with a powerful built-in extractor for optimal airflow. The hob's Bridge function also allows you to combine two cooking zones into one for larger cookware.



Modern, matt black beauty. Our most scratch-resistant surface

A modern design statement at the heart of your kitchen. The SaphirMatt® hob's matt black finish enhances its minimalist aesthetic. Made with our most scratch-resistant, fingerprint-resistant surface for lasting, effortless beauty.

4 Individual Zone Controls. Unlimited cooking options

4 Individual Zone Controls, with 9 power levels, allow you to individually control 4 different cooking areas and set separate timers for each. Other functions include power boost, active touch, child lock and automatic extractor control.



Long-Life Carbon Filter. Clean and re-use multiple times

The Long-Life Carbon Filter is easy to clean, so your kitchen air stays fresh, and your fan runs at its best for longer. Filters can be loaded in the dishwasher for cleaning, easily refitted and regenerated up to 8 times for extended life.



Automatic Extractor Control. Adjusts as you cook

Automatic Extractor Control allows you to focus on what matters – cooking. The hob will automatically switch on and adjust the extraction level according to your cooking activities, keeping your kitchen fresh and hands free.



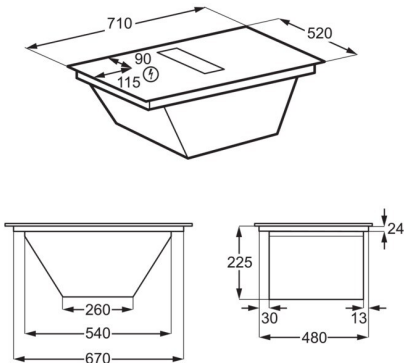
- ComboHob: 2-in-1 combination of hob and extractor fan.
- SaphirMatt® hob is up to four times more scratch-resistant.
- PowerBoost: Gives an instant increase in temperature allowing water to boil in less than 90 seconds.
- Child lock safety function.
- Auto safety switch off: The power automatically turns off if a cooking zone is left on for too long.
- The bridging function: Combines 2 cooking zones allowing flexibility for any size pan.
- Inverter motor
- Grease filter indicator.
- Charcoal filter indicator.
- Grease filter type and number: Aluminium mesh, 2
- Minute minder
- EcoTimer™: Saves energy by using the residual heat from the hob, turning off the cooking zone before the end of your timer to boost efficiency.
- Automated extraction: Auto mode adjusts the extractor fan based on hob temperature changes, so you can focus entirely on cooking.
- Pause functionality allows you to take short breaks without losing your cooking settings.
- Extraction mode
- Recirculation mode

Product Specification

Frame Type	Bevelled 2 Sides
Dimensions (mm) (WxD)	710x520
Built-in Dimensions (mm) (HxWxD)	225x680x490
Air Outlet (mm)	220
Grease Filter Type	Aluminium mesh
Number of Grease Filters	2
Aperture Cut Out (mm)	5
Energy Rating	A+
Fluid Dynamic Efficiency Rating	A
Grease Filter Efficiency Rating	B
Motor Type	Brushless
Cord Length (m)	N/A
Bar Code	7333394075808
Product Number (PNC)	ER
Plug or Hardwired	Hardwired connection only
Left Front - Power/Diameter	2300/3200W/210mm
Left Rear - Power/Diameter	2300/3200W/210mm
Right Front - Power/Diameter	1400/2500W/145mm
Right Rear - Power/Diameter	1800/2800W/180mm
Number of Cooking Zones	4
Series	6000
Hob Type	Induction Extractor Hob
Ducted Extraction Rate - Min/Max/Intensive (m³/h)	650/550/270

Recirculated Extraction Rate - Min/Max/Intensive (m³/h)	250/480/585
Ducted Noise Level - Min/Max/Intensive (dB)	50/66/69
Extraction Type - Recirculation	Yes
Extraction Type - Ducted	Yes
Hob2Hood Connection	Yes

PSGBHH220DE0000N



PSGBHO230DE0000N

