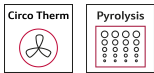


N 50, BUILT-IN DOUBLE OVEN  
U2ACH7AG7B



- ✓ CircoTherm® – Smart hot-air solution that lets you bake on up to three levels at once.
- ✓ Dual cleaning options: Pyrolytic cleaning programmes - just let the oven interior clean itself. EasyClean - the quick and easy option for day to day maintenance.
- ✓ LCD-Display – simple, straightforward with large characters for clear reading
- ✓ Home Connect - Control your oven via the App.
- ✓ Remote Monitoring and Control: check-up on your oven, from any room in the house!

Built-in / Free-standing: ..... Built-in  
 Integrated Cleaning system: ..... Pyrolytic  
 Dimensions: ..... 888x594x550 mm  
 Dimensions of the packed product (HxWxD): . 960 x 660 x 690 mm  
 Control Panel Material: ..... Glass  
 Door Material: ..... Glass  
 Net weight: ..... 58.7 kg  
 Usable volume of cavity: ..... 71 l  
 Cooking method: ..... Bread Baking Setting, Full width grill, Hotair gentle, Hot Air, Conventional heat, Pizza setting, Bottom heat, Hot air grilling  
 Oven control: ..... electronic  
 EAN code: .....4242004281801  
 Energy efficiency rating: ..... A  
 Energy consumption per cycle conventional (2010/30/EC): 1.02 kWh/cycle  
 Energy consumption per cycle forced air convection (2010/30/EC): ..... 0.81 kWh/cycle  
 Energy efficiency class (2010/30/EC) - cavity 2: ..... B  
 Energy consumption per cycle conventional - cavity 2 (2010/30/EC): ..... 0.83 kWh/cycle  
 Energy efficiency index (2010/30/EC): .....95.3 %  
 Energy efficiency index cavity 2 (2010/30/EC): ..... 120.3 %  
 Connection Rating: .....6300 W  
 Fuse protection: .....32 A  
 Voltage: .....220-240 V  
 Frequency: .....50 Hz  
 Plug type: ..... no plug (electrical connection by electrician), fixed connection (electrical connection by electrician)  
 Included accessories: .....3 x combination grid, 1 x universal pan

3 x combination grid, 1 x universal pan

Z11AB15A0 Baking tray, non-stick ceramic coated, Z11AU15A0 Universal pan, non-stick ceramic coated, Z11CR10X0 Baking and roasting grid (standard), Z11GU20X0 Glasspan, Z11TI15X0 Cliprails, Z12CB10A0 Baking tray, enamelled, Z12CL10A0 Lid for professional pan, enamelled, Z12CM10A0 Moussaka pan, enamelled, Z12CN10A0 Professional pan, enamelled, Z12CP10A0 Pizza pan, enamelled, Z12CU10A0 Multipurpose pan, enamelled, Z1365WX0 Wireless food thermometer, Z1608BX0 Full ext rails, level independent, Z1650BE0 Half tray, Z1655CA0 Air Fry & Grill tray, Z1913X0 Baking Stone



## N 50, BUILT-IN DOUBLE OVEN U2ACH7AG7B

### Features

- Heating methods only via Home Connect App: let rest, preheating
- Temperature range 30 °C - 275 °C
- Cavity volume: 71 litre

### Level independent telescopic rails

- 4 shelf positions
- Available as an accessory

### Design

- Graphite-Grey Edition
- Elongated designed dials, Retractable control dials, Bevelled oval controls
- Cavity inner surface: enamel anthracite

### Cleaning

- Pyrolytic cleaning
- EasyClean
- Full glass inner door

### Programmes/functions

- LCD-display control (white)
- Electronic clock timer
- Temperature proposal
- Actual temperature display Heating up indicator Automatic start
- Bar handle
- Rapid heat
- Interior halogen light, On/off button
- Cooling fan
- HomeConnect ready on WLAN

### Accessories

- 3 x combination grid, 1 x universal pan

### Features

- 30 °C - Very low door temperature
- Quadruple glazed door glazed CoolTouch door
- Door lock during pyrolytic cleaning
- Control panel lock Automatic safety switch off Residual heat indicator Door contact switch

### Technical information

- Nominal voltage: 220 - 240 V
- Total connected load electric: 6.3 KW
- Energy efficiency rating (acc. EU Nr. 65/2014): A
- Energy consumption per cycle in conventional mode: 1.02 kWh
- Energy consumption per cycle in fan-forced convection mode: 0.81 kWh
- Number of cavities: Main cavity Heat source: electrical Cavity volume: 71 litre

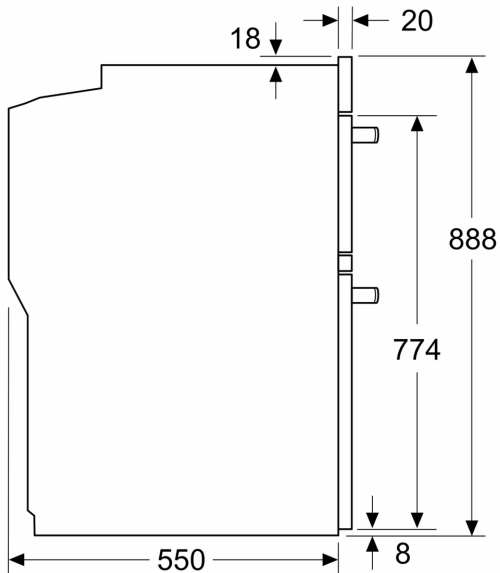
### Performance/technical information

- Appliance dimension (h x w x d): 888 mm x 594 mm x 550 mm
- Niche dimension (h x w x d): 875 mm - 888 mm x 560 mm - 568 mm x 550 mm

- Please refer to the dimensions provided in the installation manual
- We recommend you to choose complementary products within N50, in order to assure an optimal design combination of your Built-In appliances.

N 50, BUILT-IN DOUBLE OVEN  
U2ACH7AG7B

measurements in mm



Back panel open

